

Service plan Nordic countries Expert / Jumpy / Scudo

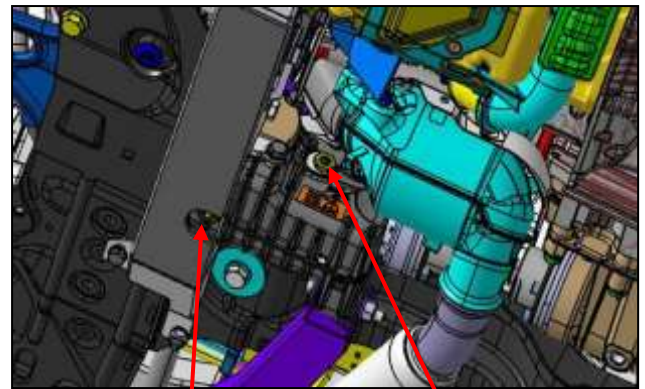
**Manufacturing date from 01/2009 : from transformation Nr 6000010**

**GEARBOX**

- Quantity : same as basis vehicle = 1.9 litres
- Oil : same as basis vehicle
- Level : no level plug, in case of appearant leaks, empty to check.
- Oil change : please see the constructor's instructions

**FRONT TRANSFER BOX**

- Quantity: 0.75 litre
- Oil: **YACCO BVX LS200, or equivalent to ZF TE ML-05C**
- Level: no level checking except in case of apparent leaks
- Oil change:
  - 12 / 2011 oil change every 30.000 km – **1st oil change between 1.500 and 2.500 km**
  - 
  - 01 / 2012 → oil change every 30.000 km or 2 years in normal use
  - Oil change every 24.000 km or 1 year when intensive use is made - **1st oil change between 1.500 and 2.500 km**

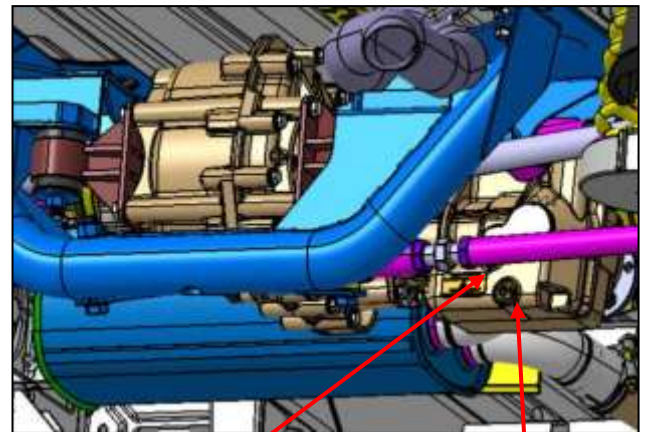


Oil change

Filling / level

**REAR TRANSFER BOX**

- Quantity : 0.55 litre
- Oil : **YACCO BVX LS200, or equivalent to 80W90 according to norm API GL5 ZF TE ML-05C**
- Level : **The filling plug does not show the level**, in case of apparent leaks, empty to check.
- Oil change:
  - 12 / 2011 oil change every 30.000 km – **1st oil change between 1.500 and 2.500 km**
  - 
  - 01 / 2012 → oil change every 30.000 km or 2 years in normal use OR every 24.000 km or 1 year when intensive use is made - **1st oil change between 1.500 and 2.500 km**



Filling

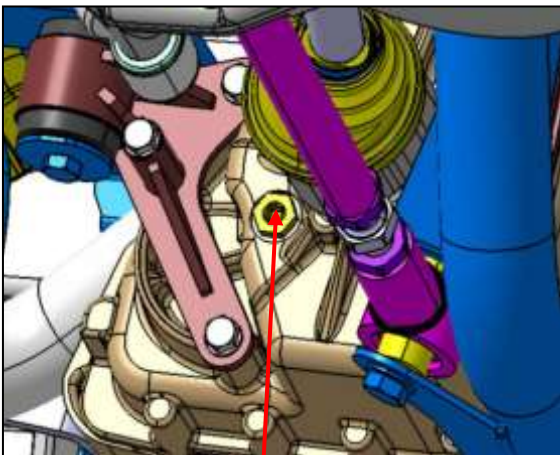
Oil change



## REAR AXLE

Quantity	1.15 litres
Oil	<b>YACCO BVX LS200, equivalent to 80W90 according to norm API GL5 ZF TE ML-05C</b>
Level	<b>The filling plug does not show the level, in case of apparent leaks, empty to check.</b>
Oil change → 12 / 2011	oil change every 30.000 km – <b>1st oil change between 1.500 and 2.500 km</b>
<b>01 / 2012</b> →	oil change every 30.000 km or 2 years in normal use or every 24.000 km or 1 year when intensive use is made - <b>1st oil change between 1.500 and 2.500 km</b>

Rear axle driver's side



Filling

Rear axle passenger side



Oil change

**Note:** After the replacement of a rear axle or a transfer box by a new part, **the 1st oil change between 1500 and 2500 km is compulsory.**

**Nota:** it is compulsory to grease the sliding transmission once a year or during all services.